

**NRC-CNRC**

*Herzberg Institute  
of Astrophysics*



# ALMA Band 1

*Charles Cunningham and Stéphane Claude*



## Canadian LRP 2010

- The Atacama Large Millimetre Array is the top priority in LRP2000
- The Atacama Large Millimetre Array (ALMA) is the first of the great “World Observatories”.

## Canadian LRP 2011

- Canada should participate in a bid on the provision of ALMA Band one receivers to take advantage of Canadian skills and experience developed during the design and building of the Band 3 receivers.

**NRC-CNRC**

Herzberg Institute  
of Astrophysics

# *Band 1 Consortium*



**HIA, Canada**

**University of Chile**

**ASIAA, Taiwan**

# *HIA Band 1 Design team*



RF design team at HIA:

Stéphane Claude, Charles Cunnigham, Philip Dindo, Doug Henke,  
Frank Jiang and Filippo Rossi (University of Victoria PhD student)

Millimetre Instrumentation Laboratory: component and  
cartridge testing

Mechanical design team: Dave Duncan and Ivan Wevers

Workshop: Gord Hnylycia and Jim Jennings



## *Band 1 Sub-systems and Challenges*

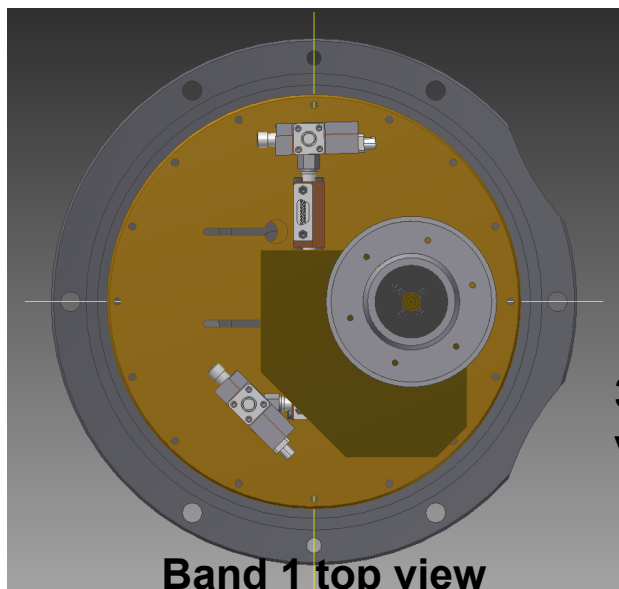
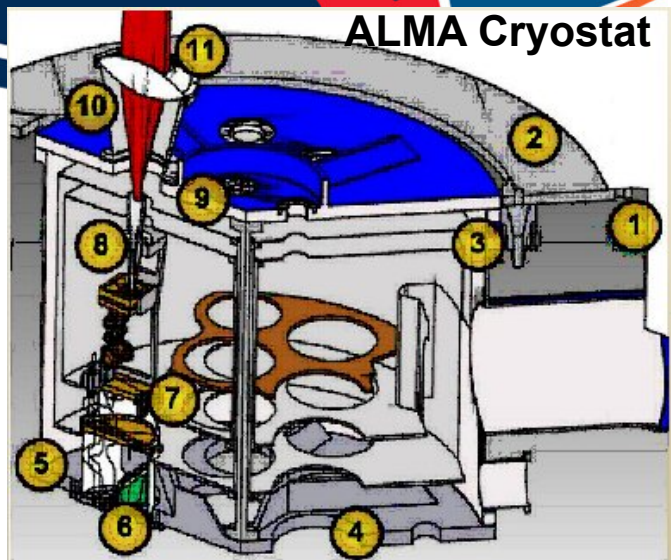
- **Sub-systems:**

- Optics: lens, horn + Orthomode Transducer (OMT)
- Low Noise Amplifier (LNA)
- Local Oscillator and down-converter

- **Challenges:**

- Noise: 17 K Single Side Band (dominated by LNA and optics)
- RF Bandwidth 36% (31.3 to 45 GHz) – widest of all ALMA bands

# Cartridge Design



Feedhorn

OMT

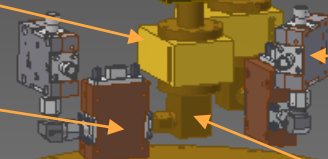
Isolator

LNA

15 K stage

80 K stage

300 K plate/  
vaccum inteface



Mixer

Transition  
waveguide -> coax

**Band 1 cartridge**

# Systems Noise Budget

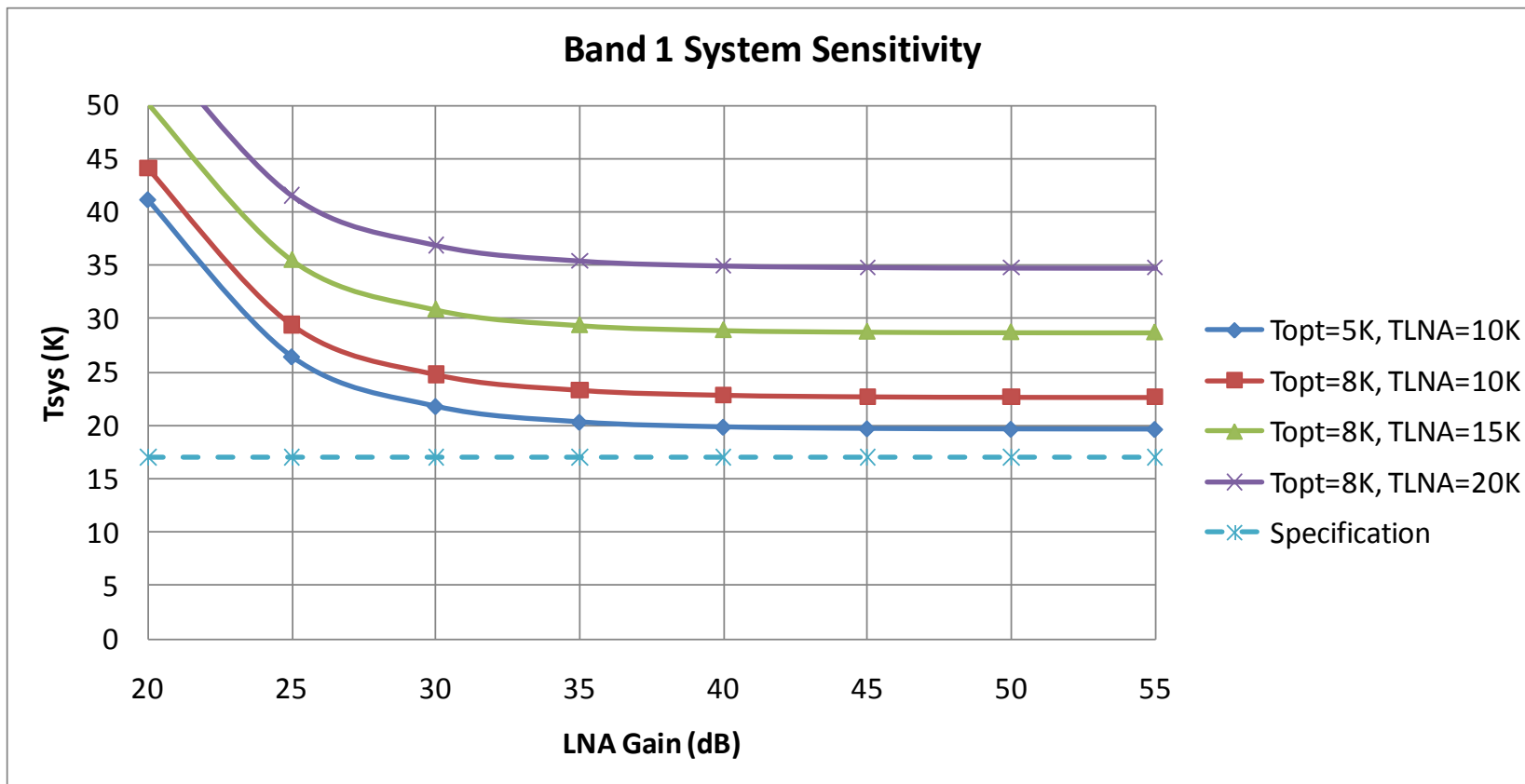


Components	Component Gain (dB)	Cumulative Gain (dB)	Component Noise (K)	Cumulative Noise (K)	
Optics	-0.3	-0.3	8.0	8.0	Optics
Feedhorn (15 K)	-0.1	-0.4	0.3	8.4	
OMT	0.0	-0.4	0.1	8.5	Pre-LNA
Isolator (WG)	-0.4	-0.8	1.4	10.1	
WG to coax adapter	-0.1	-0.9	0.3	10.6	
LNA	45.0	44.1	15.0	29.2	LNA
Coax (4-300K)	-2.0	42.1	87.7	29.2	
Amplifier (Warm RF) G=35dB, NF = 4dB	35.0	77.1	446.0	29.2	
Atten Pad	-3.0	74.1	293.6	29.2	
Mixer (Spacek) -8 dB G, 6dB NF	-8.0	66.1	879.4	29.2	
Coax	-4.0	62.1	446.0	29.2	

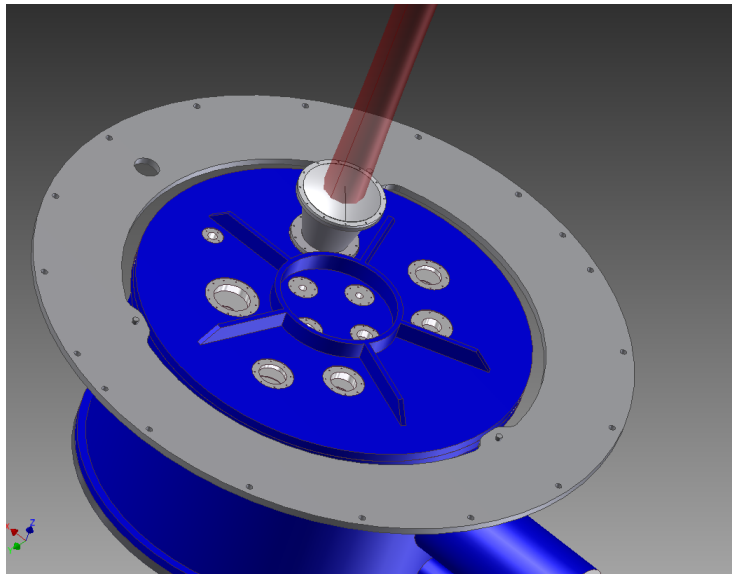
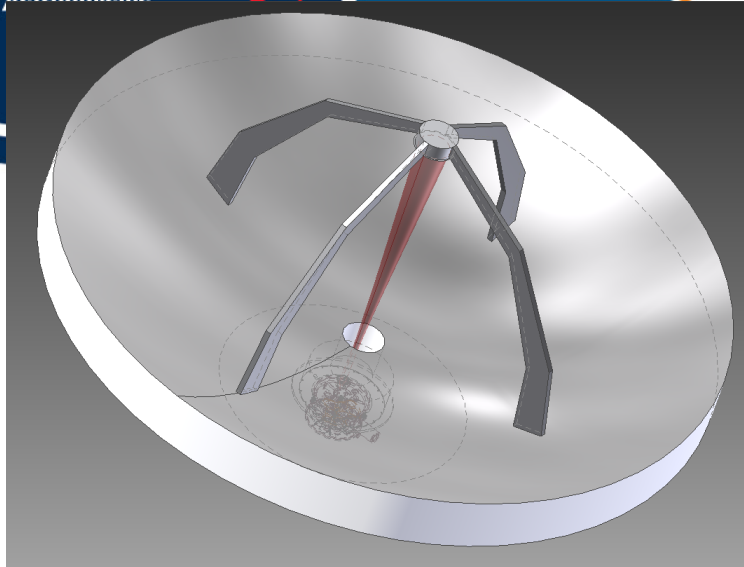
**Working Noise Budget = 29.2 K SSB**

**Specification from ALMA project book: 17 K over 31.3 GHz to 45 GHz for 80 % of the band and 26 K for any frequency.**

# Noise versus gain



# Optics



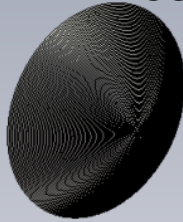
## Key Issues for Band 1 Optics

- Lens:
  - Dissipative loss
  - Scattering/Reflection
  - Material control and manufacture
- System design verification and modeling
  - Aperture efficiency
  - Cross-polarisation
  - Spill-over/Truncation
- Feedhorn
- Polarisation splitter (OMT)

# Modeling of Optics



Secondary



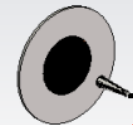
System Modeling

- Overall model extremely large
- Detailed features of feedhorn + lens

EM Solver (CST)

Feedhorn + Lens

Farfield response of  
lens + FH

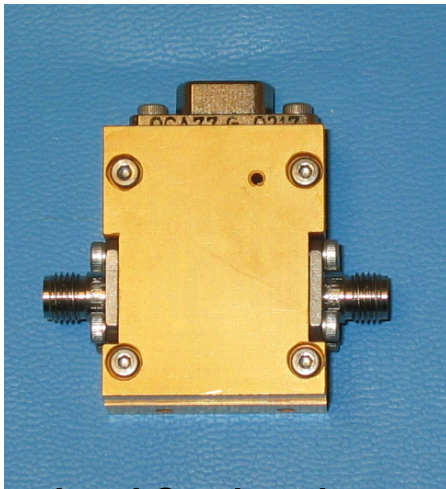


Physical Optics  
(Grasp)

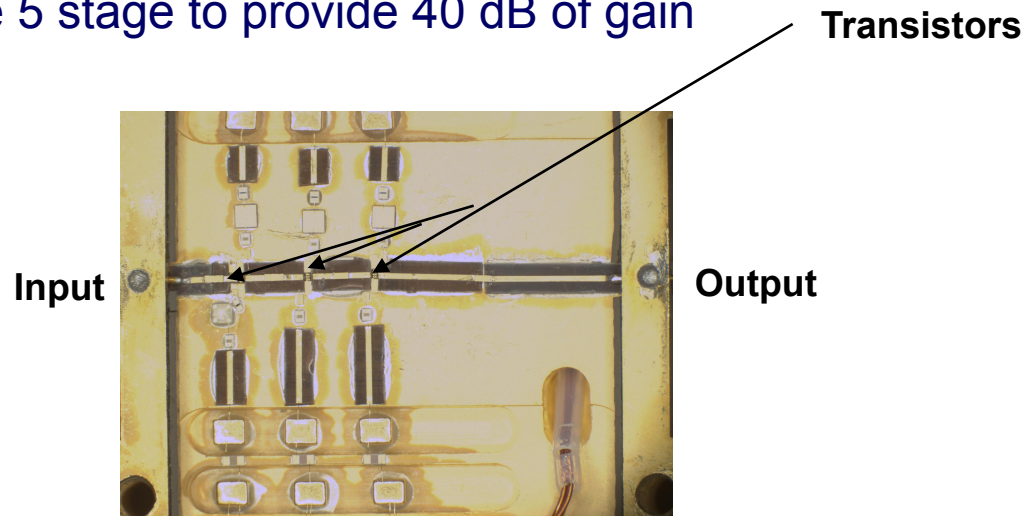
With existing feedhorn, changed lens focal length  
and position to match a 12.3 dB edge taper on the secondary



- Building on the Band 3 LNA expertise
- Prototype has 3 InP transistor stages from HRL
- Design is hybrid and includes discrete components and wire bonding for tuning gain, noise and input match
- InP technology based transistors have low power dissipation for cryogenic operation
- Layout is optimized for automated assembly for medium size production volume
- Band 1 LNA will have to be 5 stage to provide 40 dB of gain



**Au plated Cu chassis  
for good thermal dissipation**

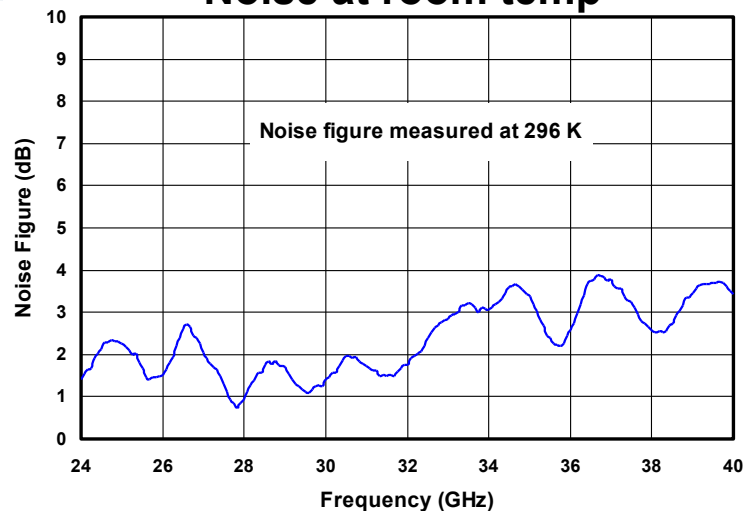


# LNA Prototyping

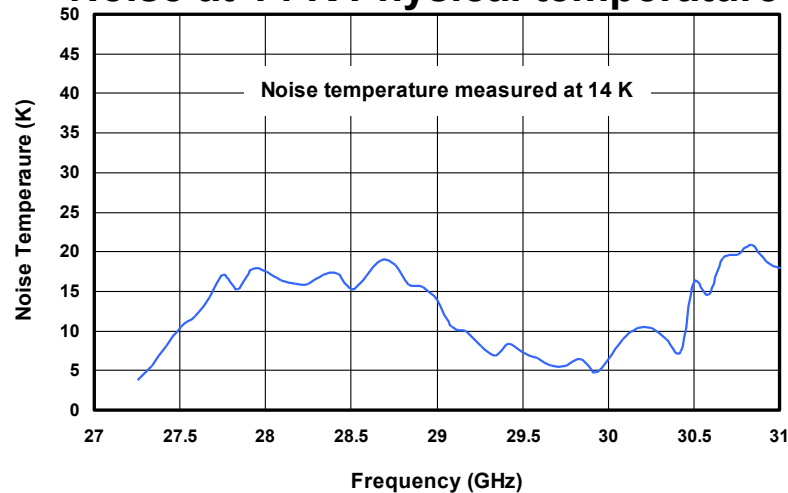


## LNA SN1

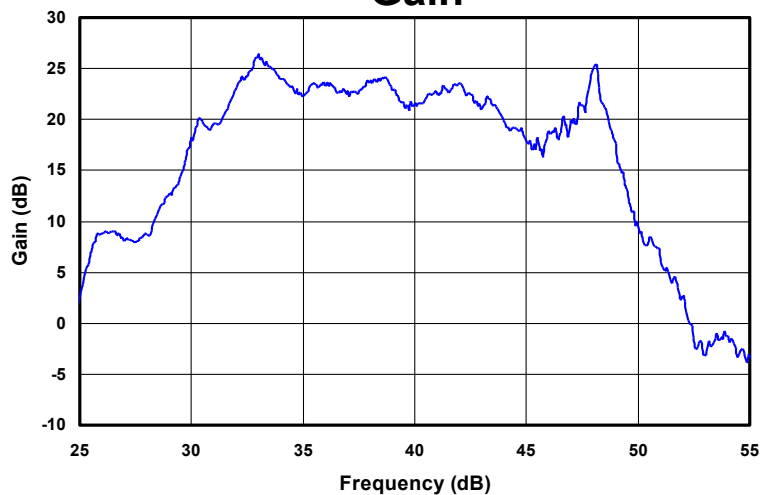
### Noise at room temp



### Noise at 14 K Physical temperature

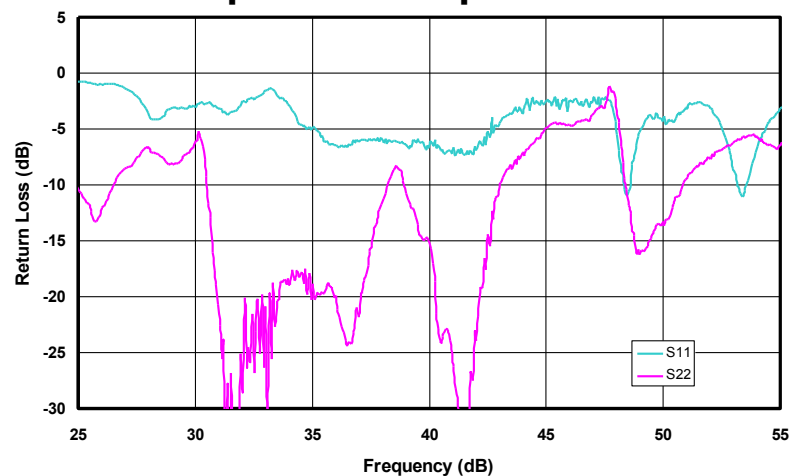


### Gain



## LNA SN3

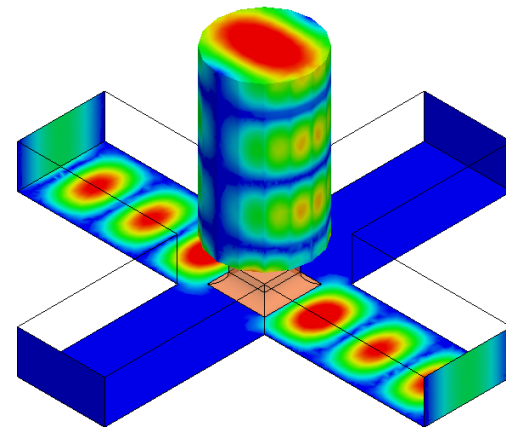
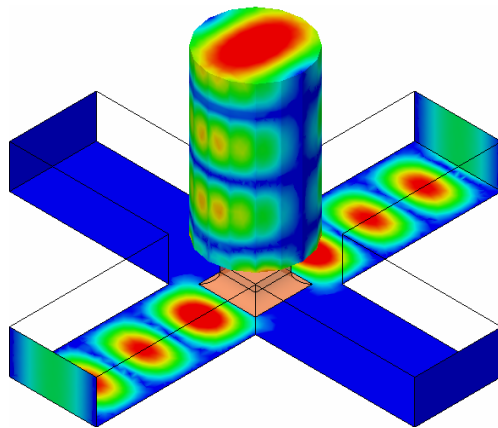
### Input and output match



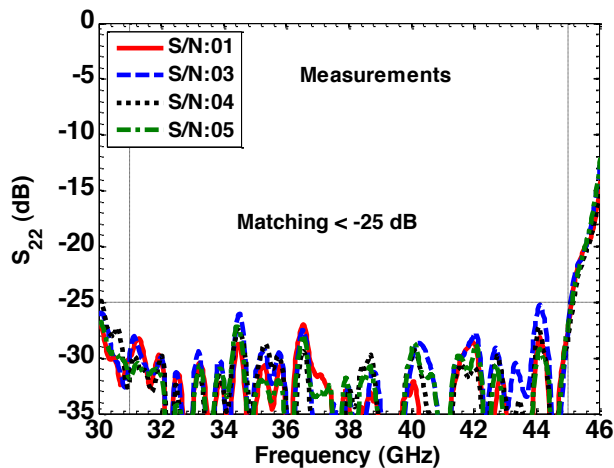
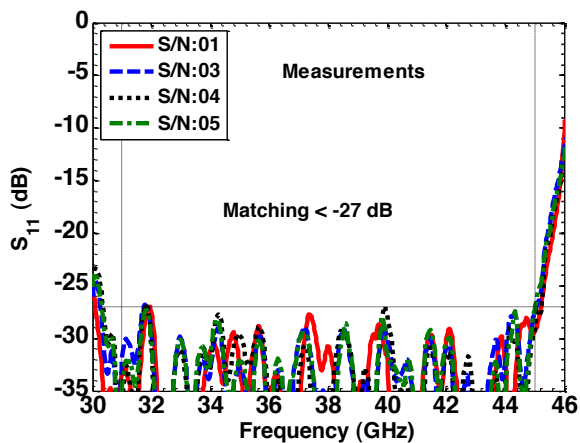
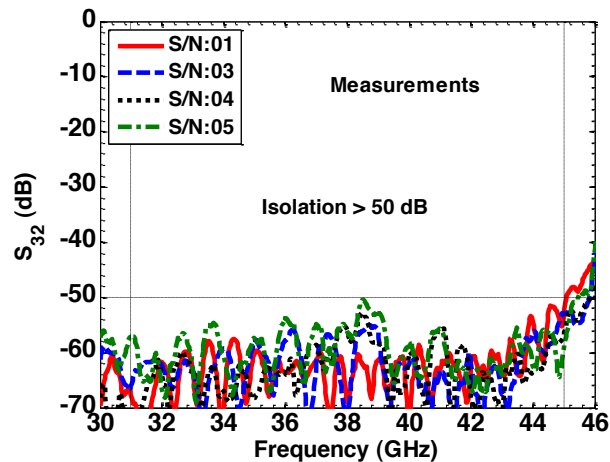
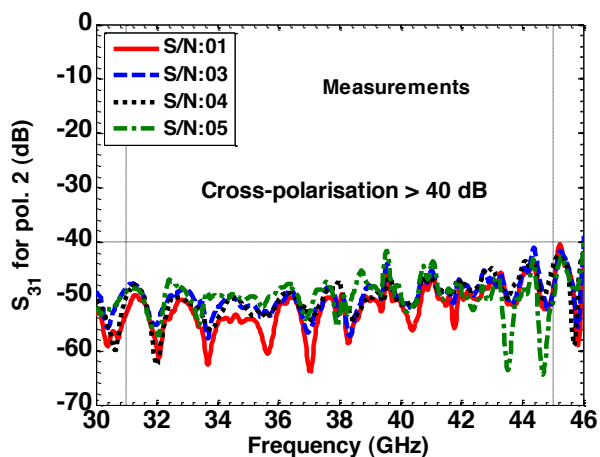
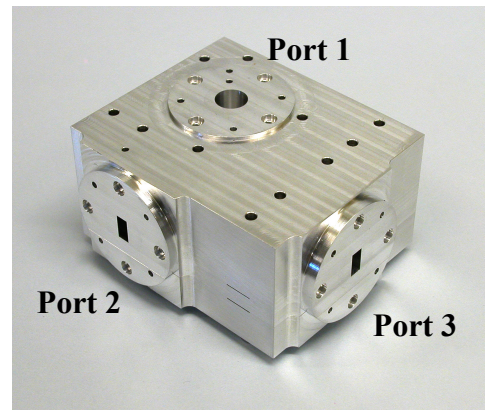


# OMT

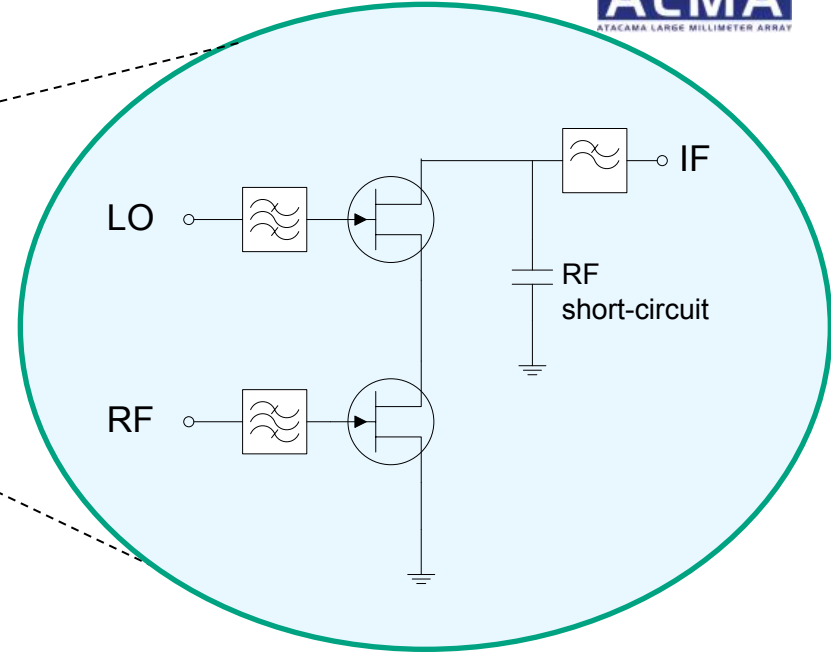
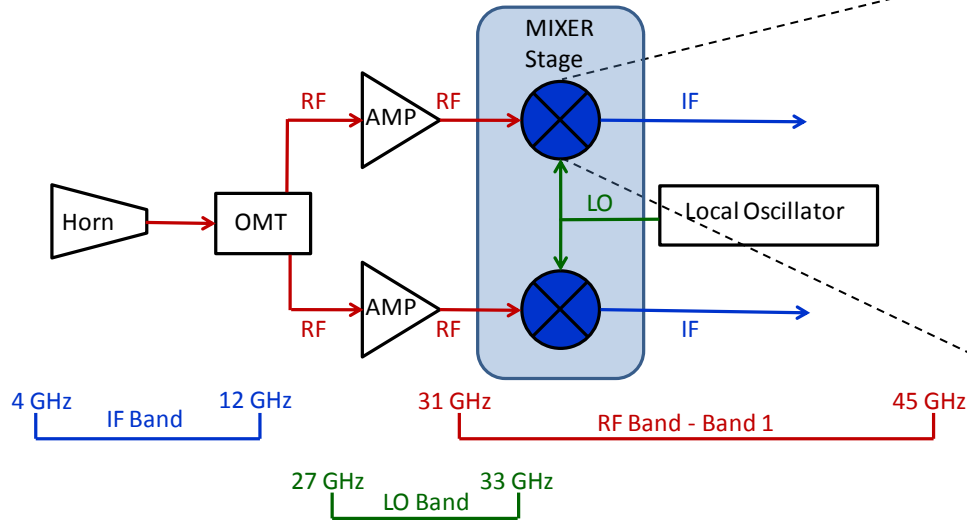
- Design is based on a turnstile with circular waveguide input matching feedhorn for optimum cross-polarisation
- Simple and accurate machining of the turnstile in one block using CNC in aluminum
- OMT is made of three blocks.



# OMT Measurements



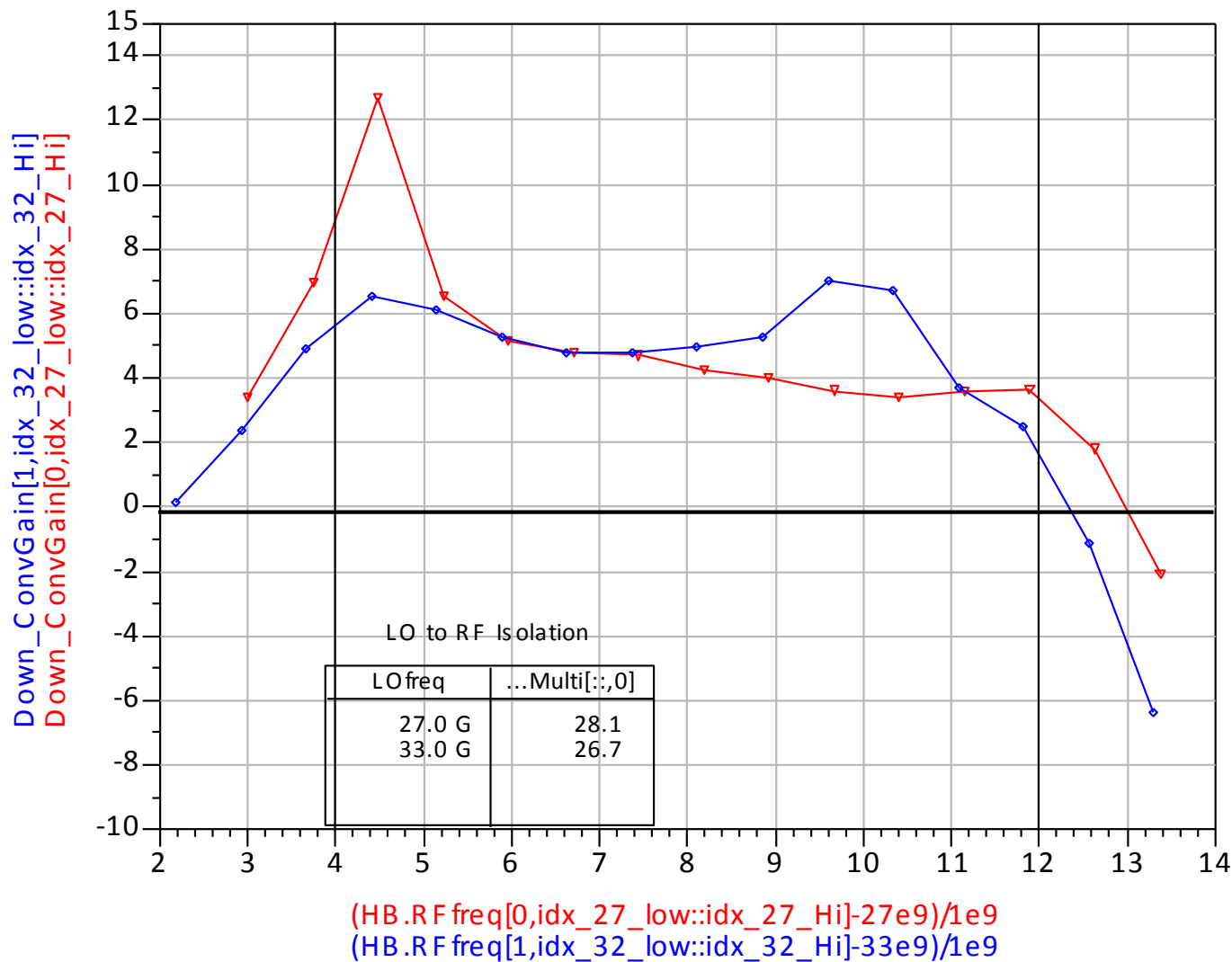
# Mixer design



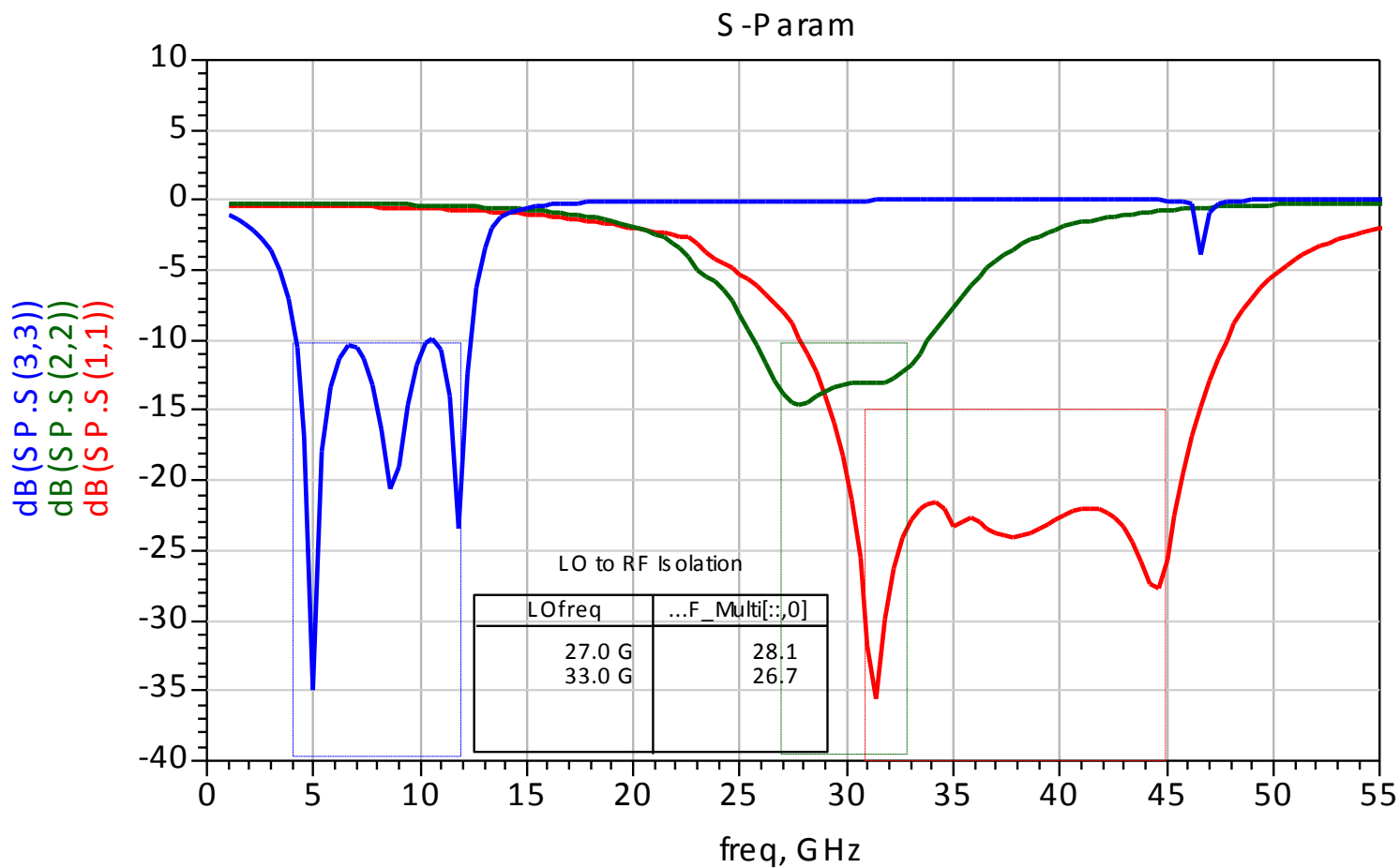
- Dual FET design
  - Inherent isolation between ports
  - Modest gain possible
- Modeling fitting indicates promising simulation
- Capable of cryogenic operation

# Mixer Conversion Gain

Mixer C onversion Gain



# Mixer Matching



# Feedhorn fabrication

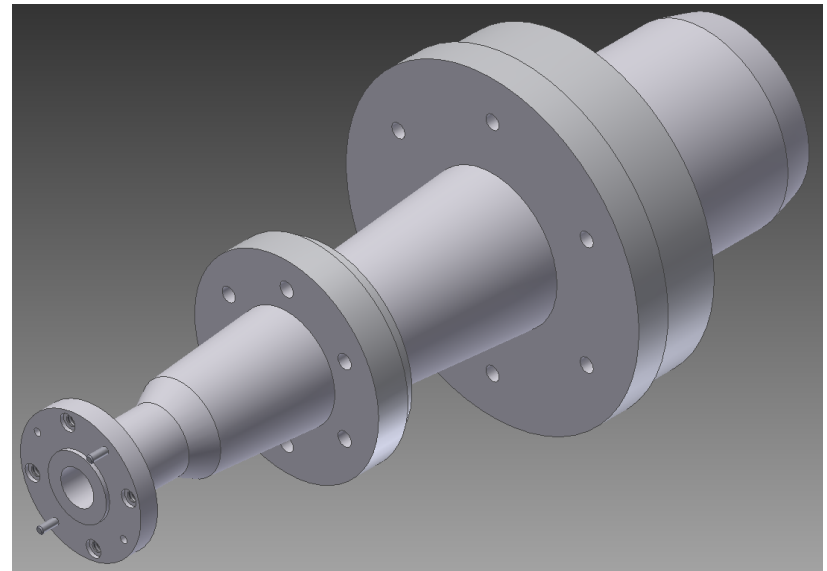
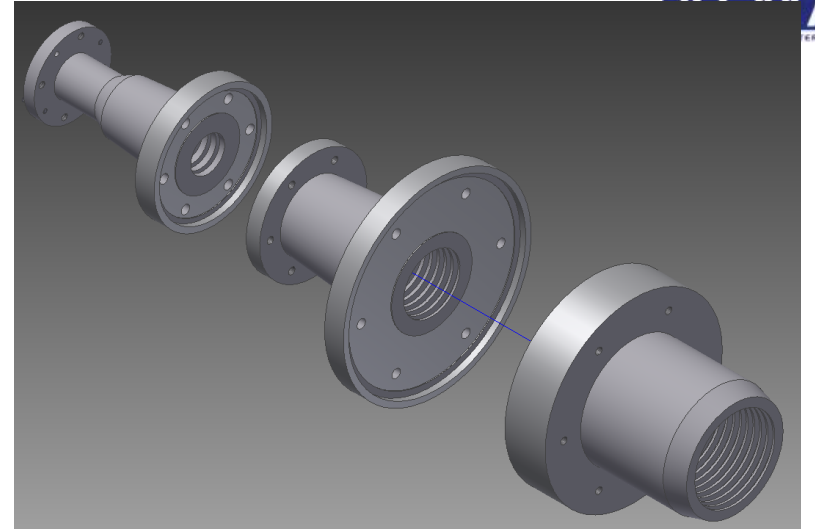


- Design study on machining the feedhorn.
- Difficulties: narrow opening angle, long feed and deep grooves at throat.
- Proposed fabrication at HIA:

Split horn in three with the first 10 grooves machined in one piece on a lathe.

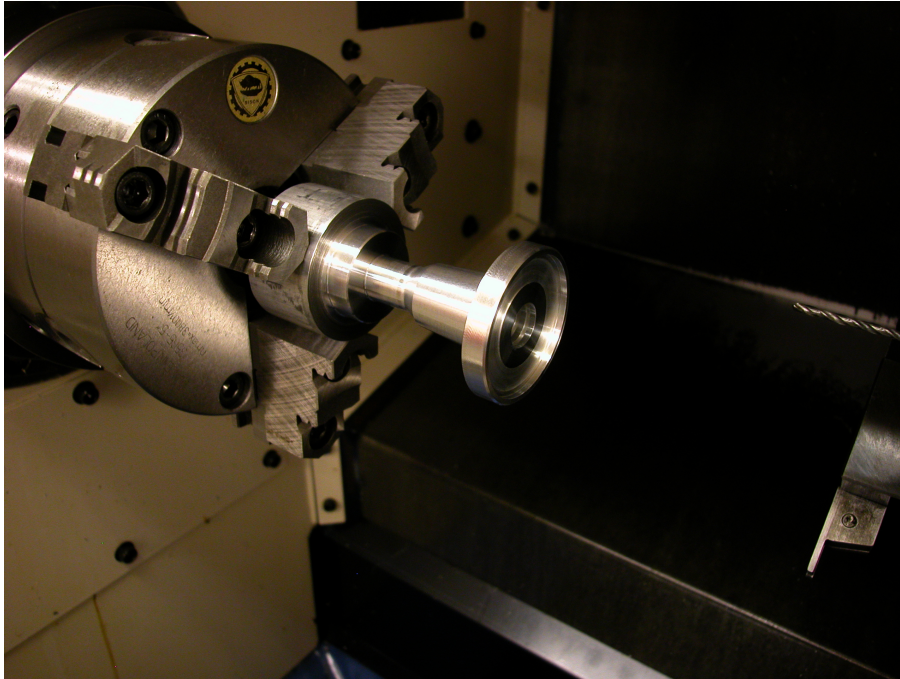
Other solutions:

- machined in multiple pieces with washers for the first grooves (Cloema, Italy);
- Electroforming; cons: process reproducibility and cost





# *Feedhorn Fabrication*

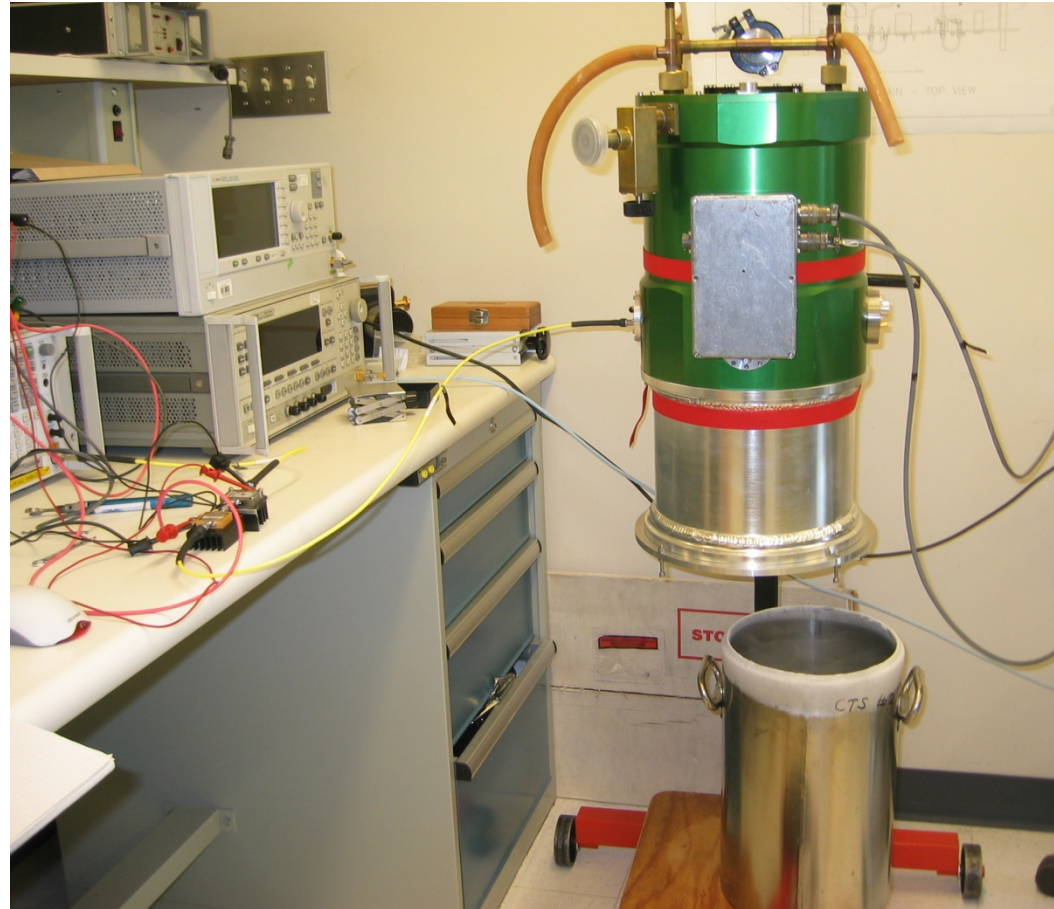
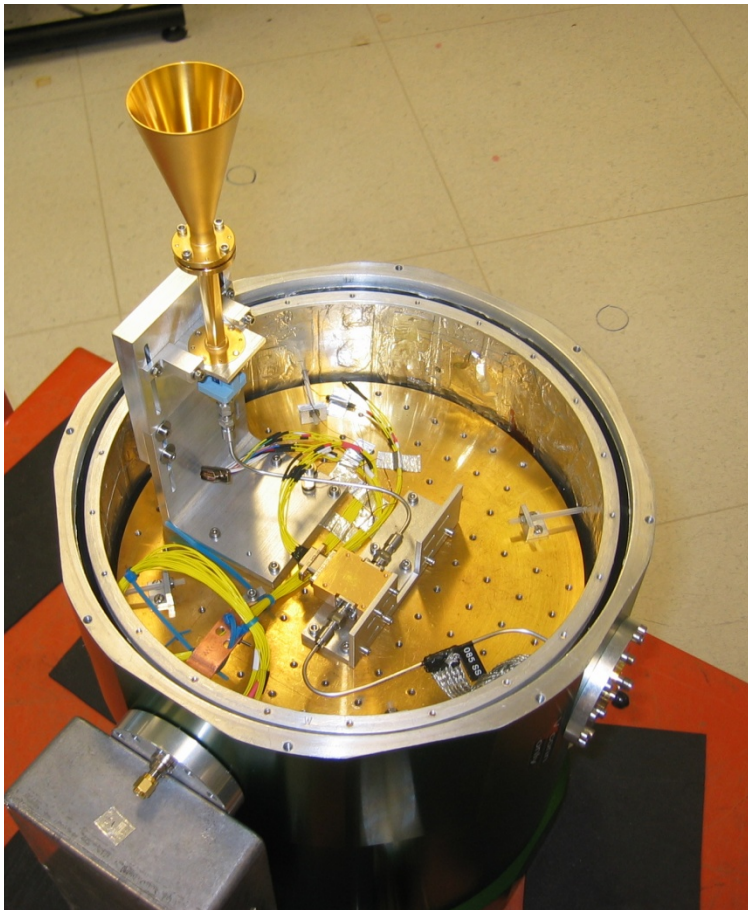


**First section in the lathe**





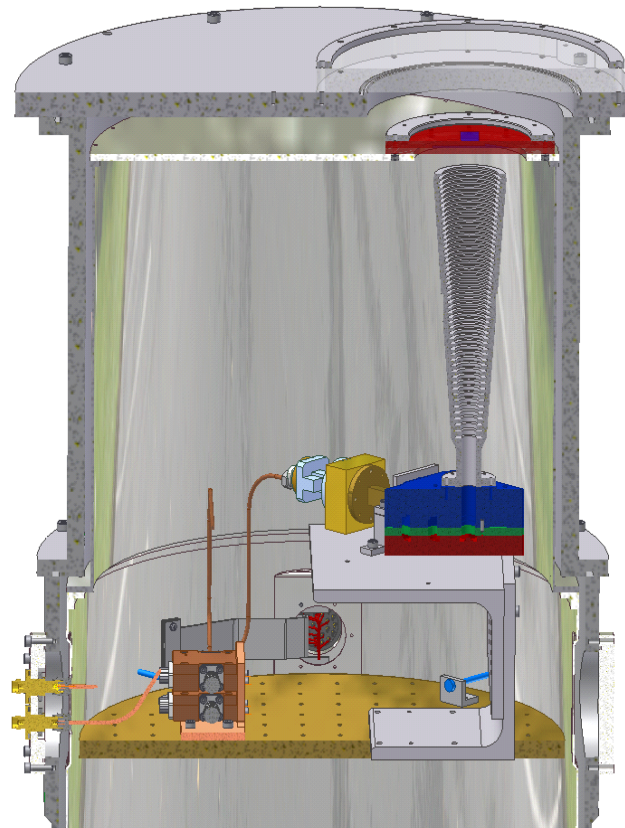
# Test Cryostat at HIA



Completed initial noise measurements of simple system



# Test configuration with Band 1 feedhorn



## Conclusion and future work

- Optics design re-evaluated: complete end to end simulation underway.
- Test cryostat operational for evaluating individual components:
- OMT prototype completed, final design to be manufactured
- New LNA prototype currently under fabrication
- Mixer design completed and ready for prototyping
- Feedhorn fabrication underway